

**Receiver**
**From**

 Society  
 Reference  
 Address  
 Phone  
 Fax  
 E-mail

**Item n° :**

60150999

**Model :**

EVOPLUS B 120/450.100 M

**Pump data**

 Pressure rating : 16 bar (1600 kPa)  
 Min. fluid temperature : -10 °C  
 Max. fluid temperature : 110 °C  
 EEI : ≤ 0,19

**Minimum suction head :**

 Temperature °C 90 - 110  
 Minimum suction head : m 10 - 20

**Requested data**

 Flow : 0.00 m³/h  
 Head : 0.00 m  
 Fluid (%) : Water, pure  
 Fluid Temperature : 20 °C  
 Density : 998.3 kg/m³  
 Kinematic viscosity : 1.005 mm²/s  
 Vapor pressure : 100.00 kPa

**Hydraulic data (duty point)**

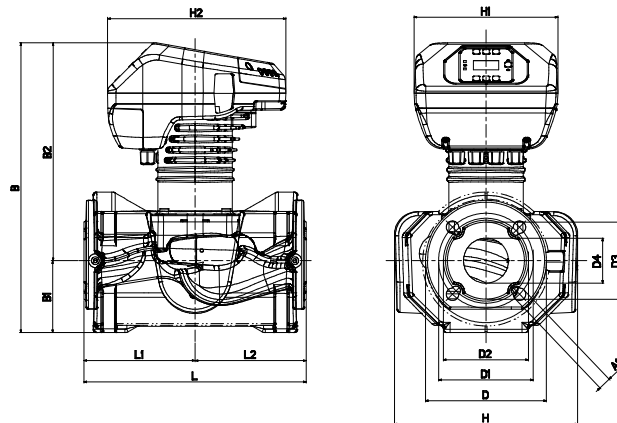
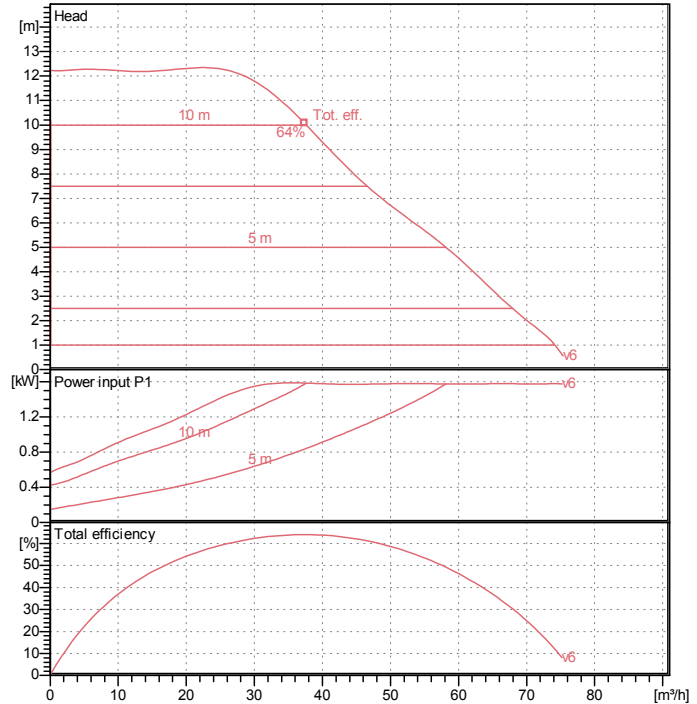
 Flow :  
 Head :

**Materials**

 Pump body : Cast iron 250 UNI ISO 185 - CTF  
 Impeller : Technopolymer  
 Motor shaft : Stainless steel  
 Seal ring : EPDM  
 Motor casing : Die cast aluminium  
 Closing flange : Stainless steel  
 Thrust ring support : Stainless steel

**Motor data**

 Motor brand : DAB  
 Power input P1 : 1.56 kW  
 Rated voltage : 1~ 220-240 V 50 Hz  
 Nominal current : 7 A  
 Degree of protection : IP 44

**Curve tolerance according to ISO 9906**

**Dimensions in mm**

|    |     |    |     |    |     |
|----|-----|----|-----|----|-----|
| A1 | 19  | D1 | 180 | H2 | 273 |
| B  | 463 | D3 | 156 | L  | 450 |
| B1 | 110 | D4 | 105 | L1 | 225 |
| B2 | 353 | H  | 292 | L2 | 225 |
| D  | 220 | H1 | 220 |    |     |

**Weight :** 36.3 kg

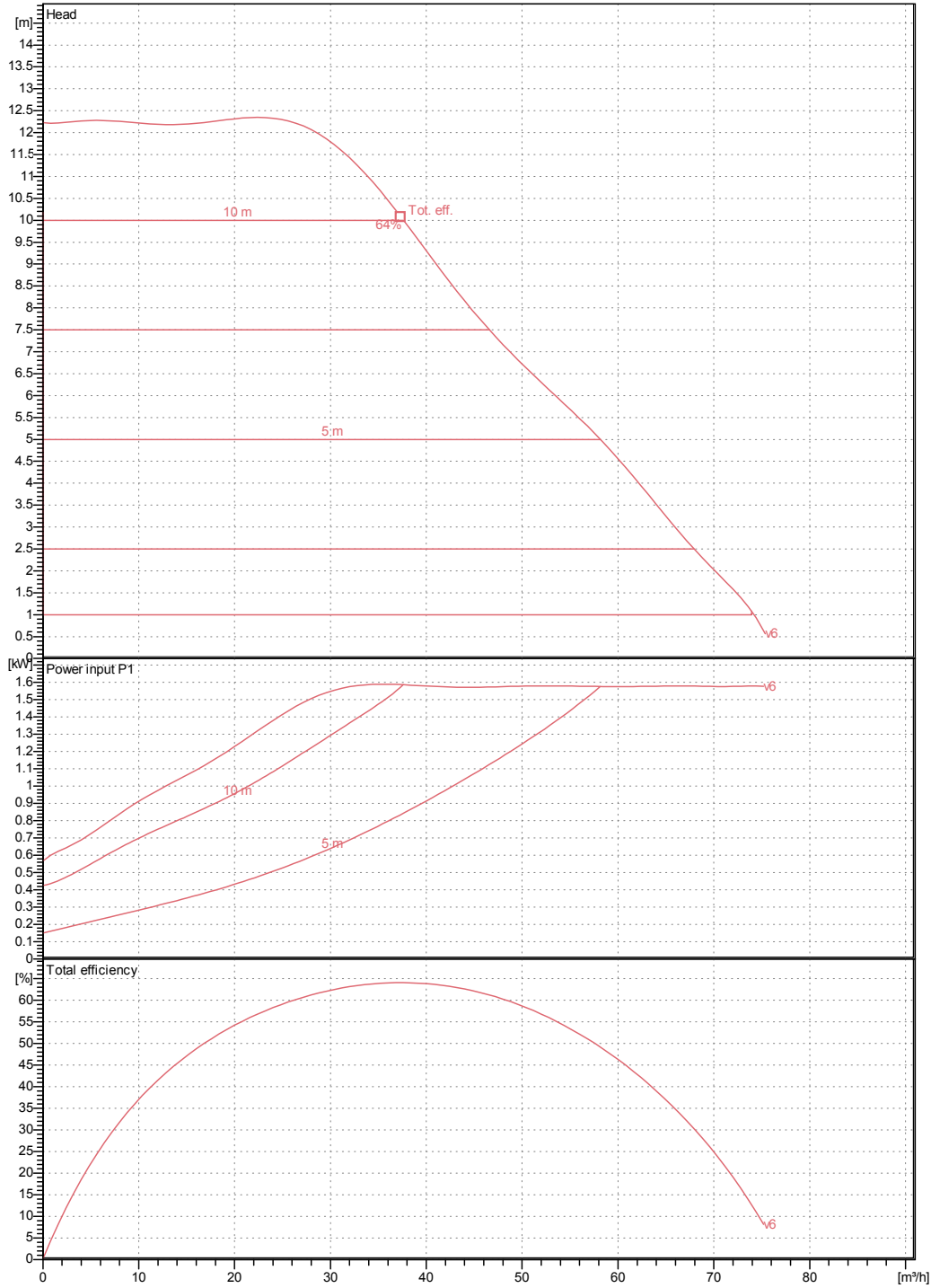
**Pump connection**

 Suction side : DN 100 / PN6 (4 slotted holes), PN10 (4 holes)  
 Discharge side : DN 100 / PN6 (4 slotted holes), PN10 (4 holes)

|   |                 |             |
|---|-----------------|-------------|
| Society<br>Reference<br>Address<br>Phone<br>Fax<br>E-mail | <b>Receiver</b> | <b>From</b> |
|---|-----------------|-------------|

## EVOPLUS B 120/450.100 M

Curve tolerance according to ISO 9906



Hydraulic data (duty point)

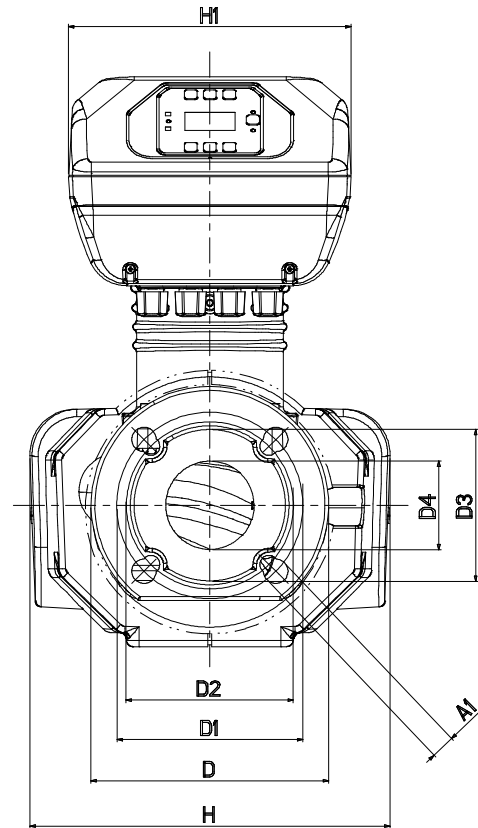
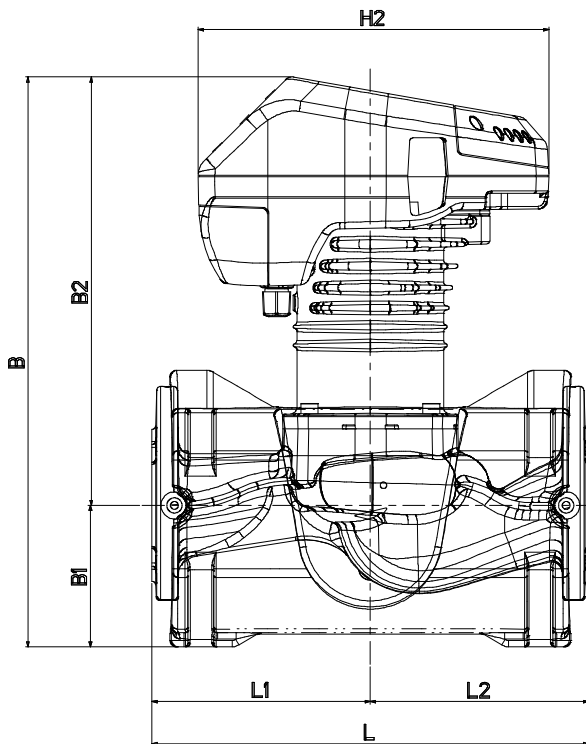
|   |   |                  |                                 |                           |
|---|---|------------------|---------------------------------|---------------------------|
| Suction side<br>DN 100<br>PN6 (4 slotted holes), PN10 (4 holes) | Discharge side<br>DN 100<br>PN6 (4 slotted holes), PN10 (4 holes) | Flow :<br>0 m³/h | Head :<br>0 m                   | Rated speed :<br>2900 rpm |
| Project   | Project ID  | Created by       | Created on<br><b>18/09/2014</b> |                           |

Receiver

From

Society  
 Reference  
 Address  
 Phone  
 Fax  
 E-mail

## EVOPLUS B 120/450.100 M


**Dimensions in mm**

|    |    |     |    |     |
|----|----|-----|----|-----|
| 1  | A1 | 19  | H2 | 273 |
| 2  | B  | 463 | L  | 450 |
| 3  | B1 | 110 | L1 | 225 |
| 4  | B2 | 353 | L2 | 225 |
| 5  | D  | 220 |    |     |
| 6  | D1 | 180 |    |     |
| 7  | D3 | 156 |    |     |
| 8  | D4 | 105 |    |     |
| 9  | H  | 292 |    |     |
| 10 | H1 | 220 |    |     |

**Pump connection**

**Suction**  
 DN 100  
 PN6 (4 slotted holes), PN10 (4 holes)

**Discharge**  
 DN 100  
 PN6 (4 slotted holes), PN10 (4 holes)

Project

Project ID

Created by

Created on

**18/09/2014**